

Retainer Clip & C-Clip Installation

Kit Contains:

- 1 pc. 10911 - C-clip
- 1 pc. 10539 - 1/4 x 1 1/4" lg. Faspin
- 1 pc. 10913 - Retainer Clip
- 1 pc. 10799 - 1/4-20 x 1.0" hex washer head screw

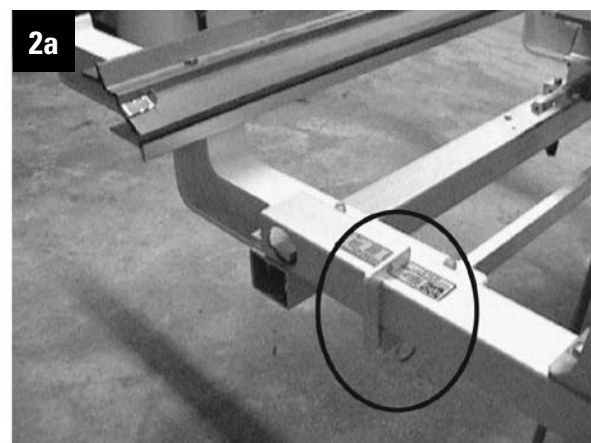
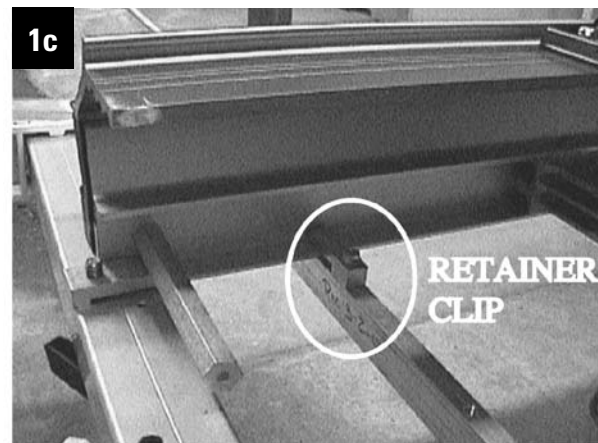
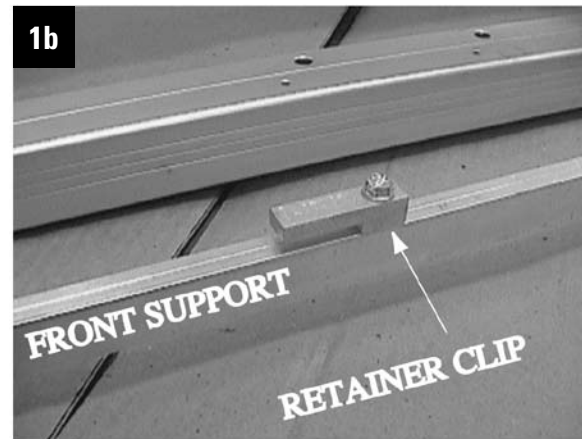
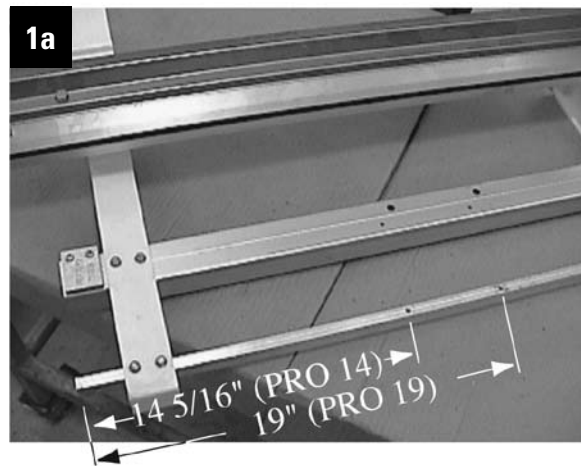
Tools Needed:

- 3/8" wrench

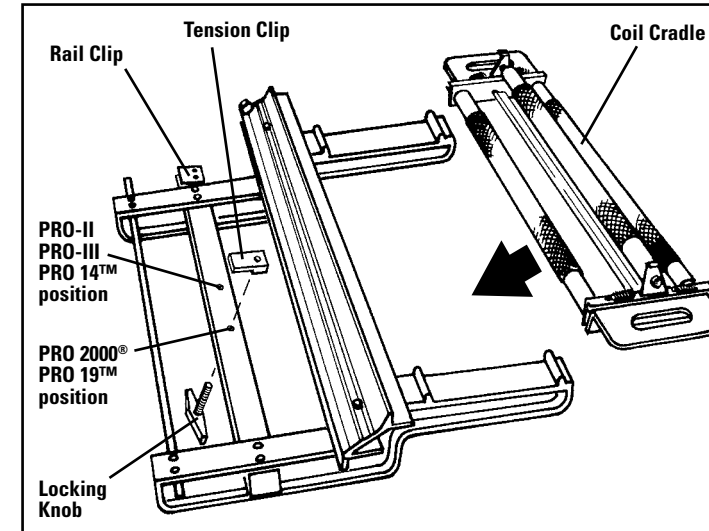
Remove the Sidewinder from the box.

Attach the Retainer Clip to the front support with the 1/4-20 x 1.0" hex washer head screw. Use proper hole as described in figure 1a. The hole will be 14 5/16" from the end if used on a PRO-14 series brake and 19.0" from the end if used on a PRO-19 series brake. The retainer clip must run parallel with the front support and point to the left. See figures 1a, 1b, and 1c below.

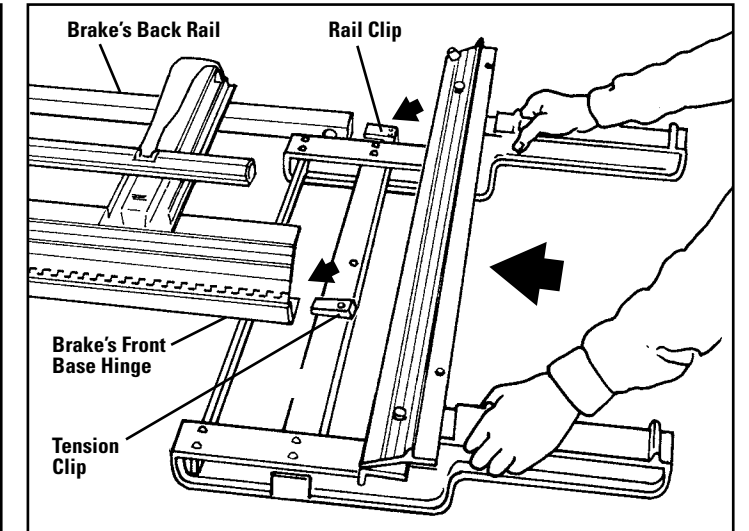
Install the Sidewinder back on the brake. Insert the C-clip in the front support and fix in place with the 1/4 x 1 1/4" lg. faspin. See Figure 2a at right.



Side-Winder™ Operating Instructions

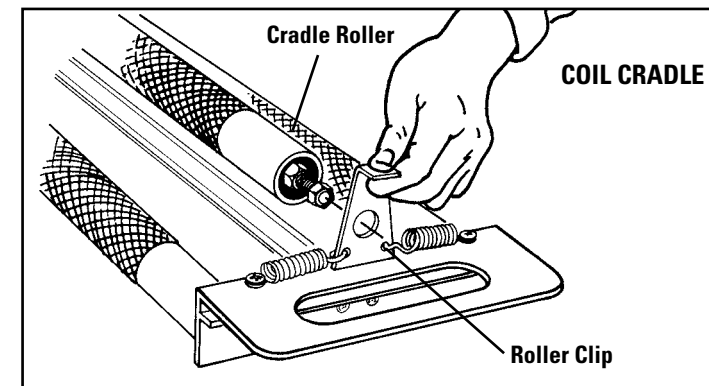


STEP 1
Set up is fast and easy. First, install Tension Clip with Locking Knob onto middle support rail in correct hole position for your brake. Do not tighten. See illustration above.

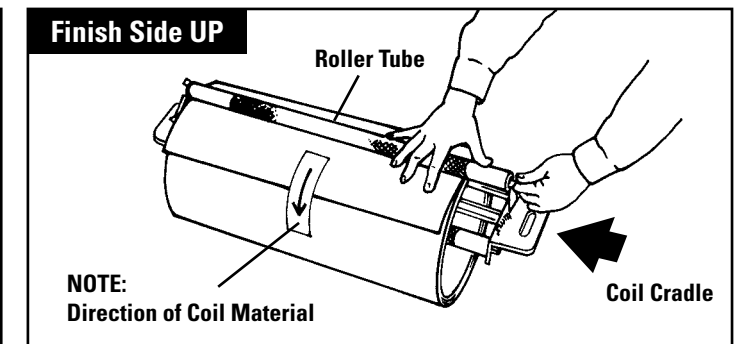


STEP 2
Attach Side-Winder to the brake by inserting Back Rail Clip into the brake's Back (Box) Rail and Tension Clip onto your brake's Front Base Hinge. Tighten Locking Knob.

Loading the Coil Cradle



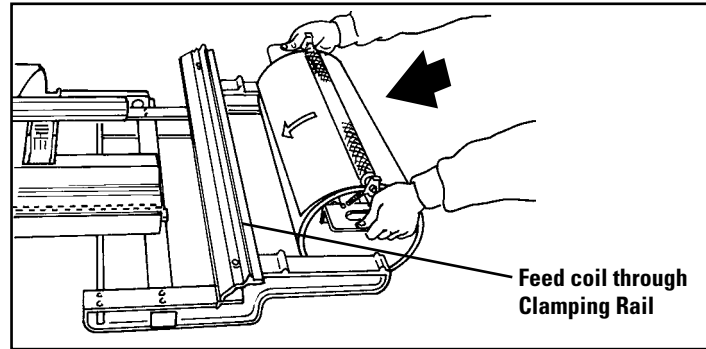
STEP 3
Remove Cradle Roller from Coil Cradle by grasping and unhooking Roller Clips at each end. To load coil finish side **UP** see steps 4a & 4b. To load coil finish side **DOWN** see steps 5a, 5b & 5c.



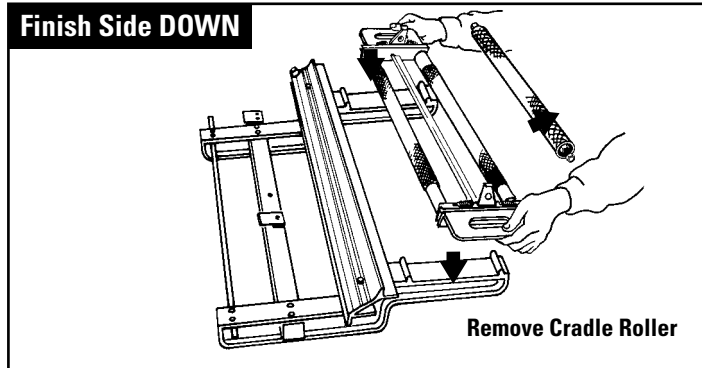
STEP 4a
To load coil finish side **UP**, insert Coil Cradle into center of coil then attach Cradle Roller to Coil Cradle over **TOP** of coil.



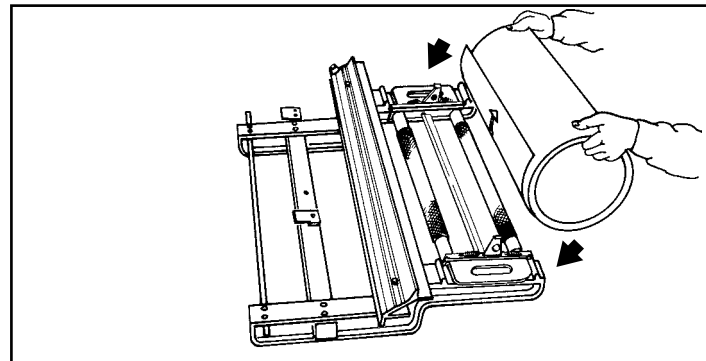
Side - Winder
Coil Holder System™



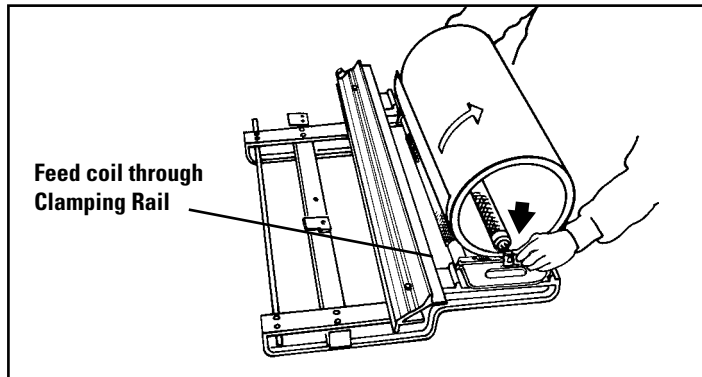
STEP 4b
 Place entire assembly on Side-Winder.



STEP 5a
 To load coil finish side DOWN, place Coil Cradle onto Side-Winder after removing Cradle Roller.

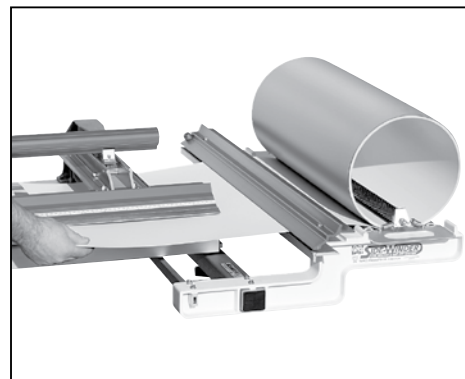


STEP 5b
 Place coil on top of Coil Cradle (Note direction of coil material).



STEP 5c
 Insert Cradle Roller through center of coil and attach to Roller Clips at each end of Cradle.

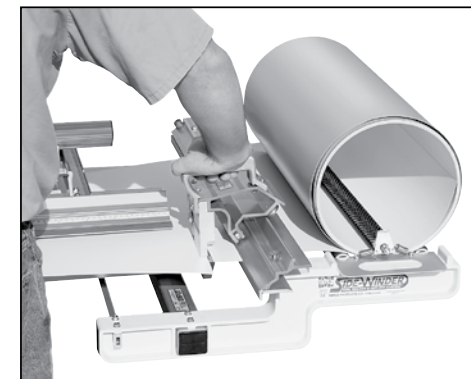
Attach the Side-Winder to a Brake



STEP 1
 Draw coil through **Side-Winder** and into open jaws of your PRO Series Brake.



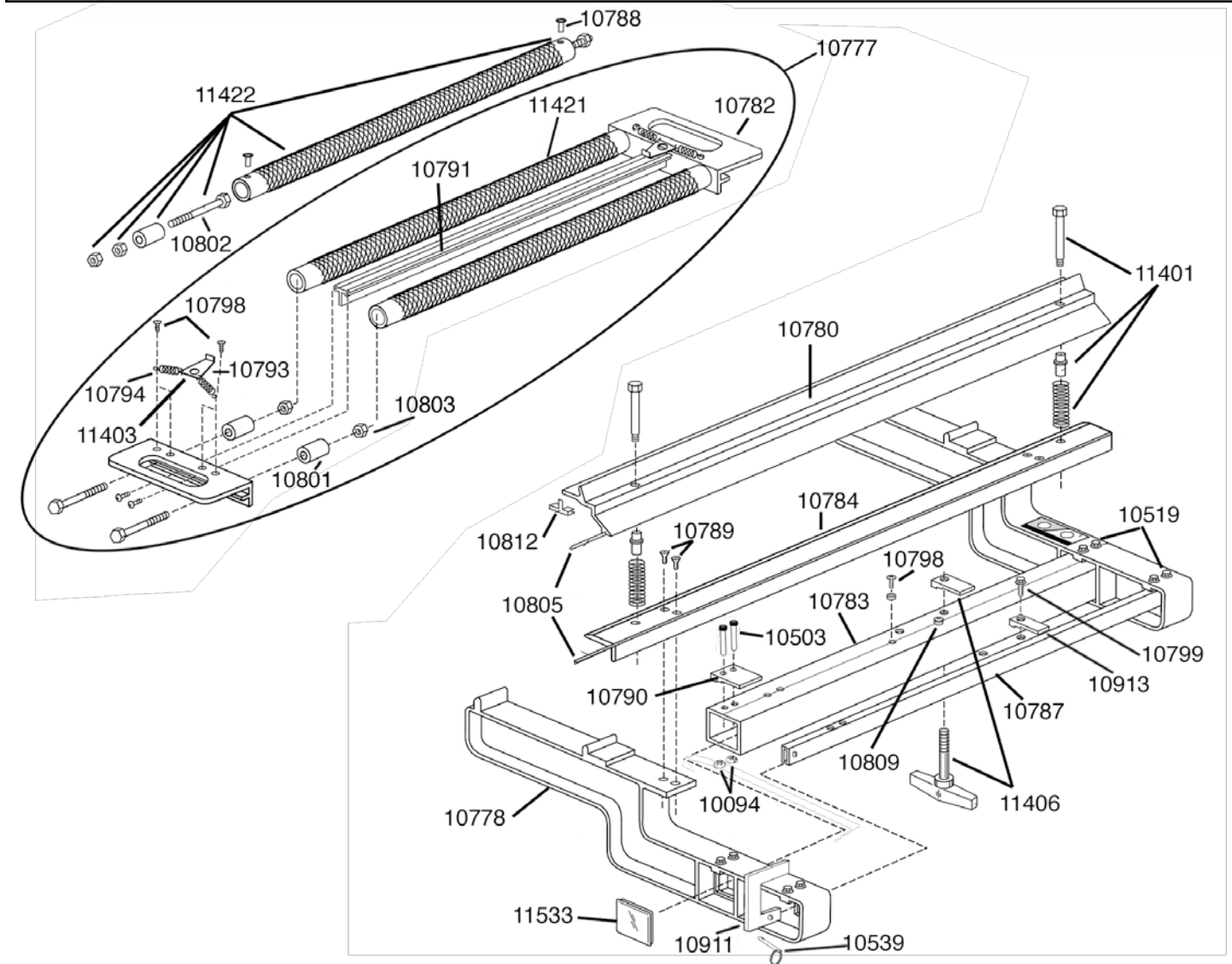
STEP 2
 Dispense coil to your desired length along the length of your brake.



STEP 3
 Leave the brake open, cut-off coil to length with PRO™ Cut-Off and you're ready to bend!

Just roll out, cut off and in seconds you're ready for bending!

Side - Winder
Parts Diagram



Item#	Description
10094	¼-20 Hex Flange Nut
10503	¼-20 X 2 ½" Socket Cap Screw
10519	¼-20 X ¾" Hex Wash Hd Screw
10539	¼" X 1 ¼" Faspin
10777	Coil Carriage*
10778	Sidewinder Arm
10780	Clamping Rail
10783	Middle Support
10784	Clamp Support
10787	Front Support
10788	1/8" Pop Rivet
10789	#10 X 5/8 Phil Fl Hd
10790	Rail Clip
10799	¼"-20 x 1" Hex Washer Head Screw
10801	Roller Tube Insert
10803	Nut
10805	Top Clamp/Support Vinyl
10809	Nylon Spacer
10812	Cut Off Stop
10911	C-Clip

Item#	Description
10913	Retainer Clip
11401	Bolt Kit (2) 5/16-18 x 1 ¼" Shoulder Bolt 10785 (2) Clamping Rail Bushing 10810 (2) Anvil Spring 10779
11403	Carriage Roller and Spring Kit (2) Roller/Pivot Spring 10794 (2) Clip 10793
11406	Sidewinder Knob and Clip Kit (1) Tension Clip 10792 (1) 5/16-18 x 2 Tee Handle Knob 10795
11533	Back Rail Clip
12044	Sidewinder Parts Bag 10058 - ¼-20 x 1" Hex Slotted Wshr. HD Screw 10539 - ¼" x 1 ¼" Faspin 10792 - Tension Clip 10795 - 5/16-18 x 2 Tee Handle Knob 10911 - C-Clip 10913 - Retainer Clip

Item#	Description
*Coil Carriage	
10782	Cradle Handle
10791	Cradle Rail
10798	10-24 x ¾ Phil Pan Hd Screw
11421	Replacement Roller Cover Kit (3) Roller Covers 10796
11422	Roller Assembly Kit (1) Cradle Roller 10786 (1) Roller Cover 10796 (2) Roller Tube Insert 10801 (2) 5/16-18 x 2 ¼ Hex Bolt 10802 (4) 5/16-18 Nylok Hex Nut 10803